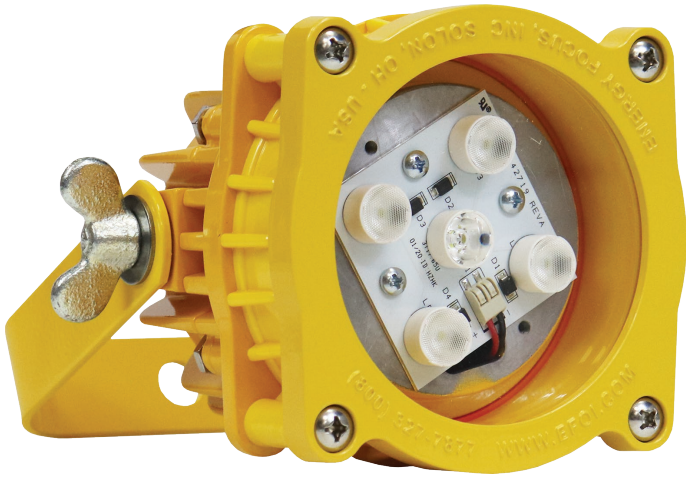


LED DOCK LIGHT

15 WATT



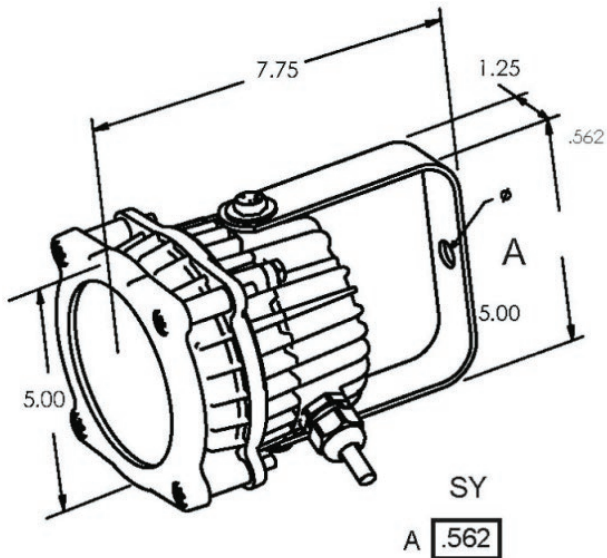
Housing	Die cast aluminum for thermal management
Swivel	Friction joint to allow for 270° angle adjustment
Body	Safety yellow polyester powder coat paint
Lens	Impact resistant, optically clear acrylic lens with silicone gasket
Fastener	Steel, non-corrosive bright zinc plate
Input Voltage	110-240, 277 Volts, 50/60hz

Driver	Constant current electronic driver
Weight	4.8 lbs

Power	15 Watts
CRI	70

Color Temperature	6500K
Lumen Output	775 Lumens

Optical System	High intensity LED emitters with custom focusing options
-----------------------	--



MOUNTING OPTIONS

Attached to a dock fan



Available as combo package with dock arm

