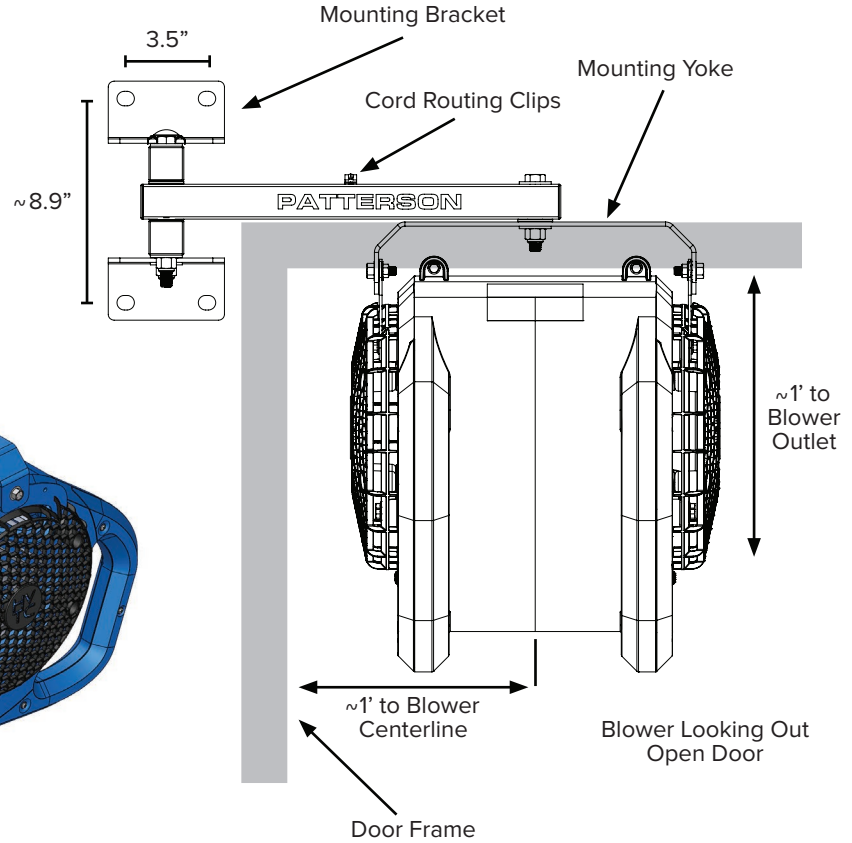
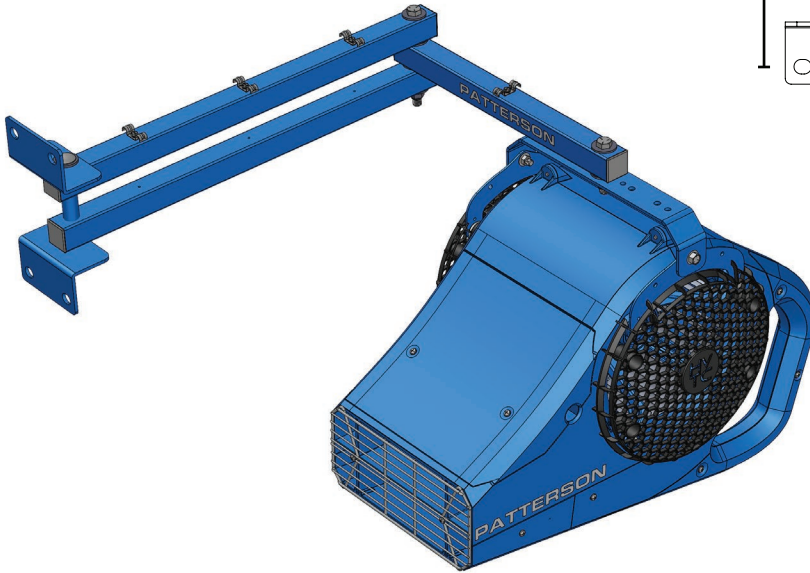


TC-42 Mount

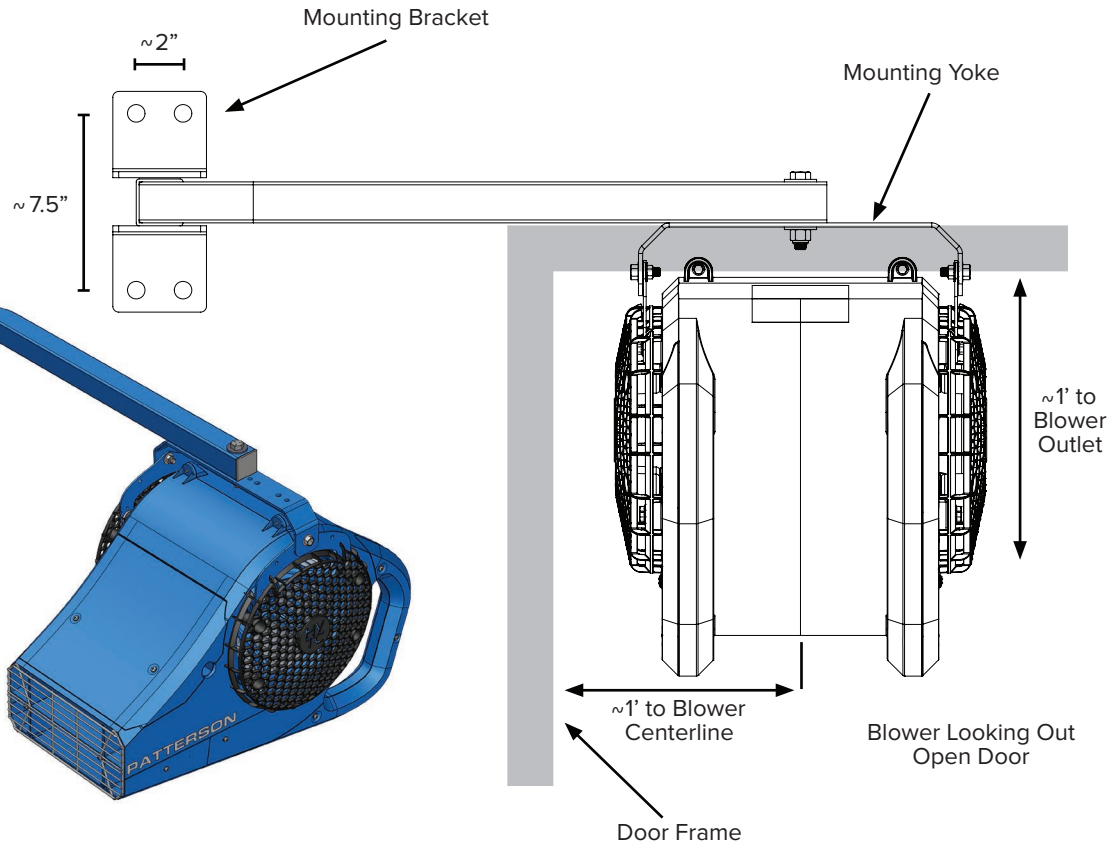
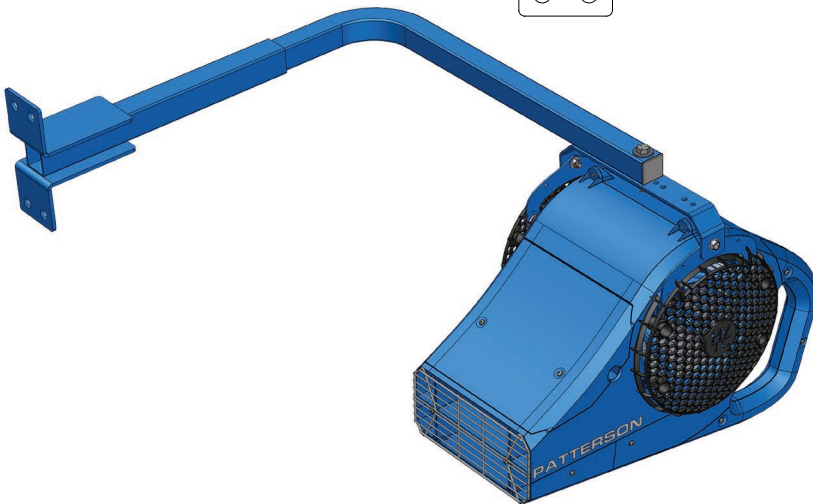
Adjustable (90° Angle Shown)



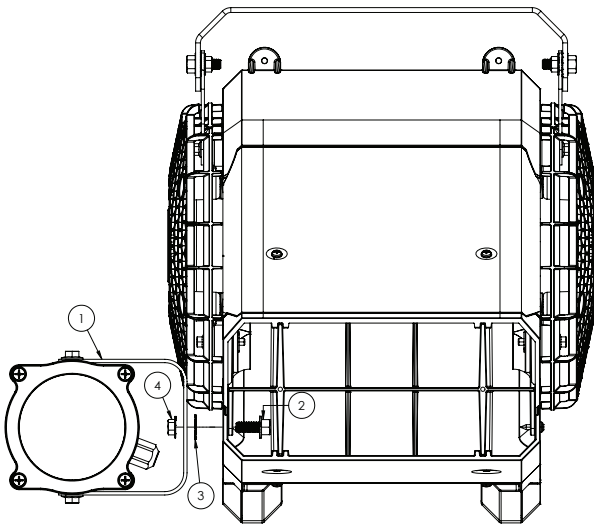
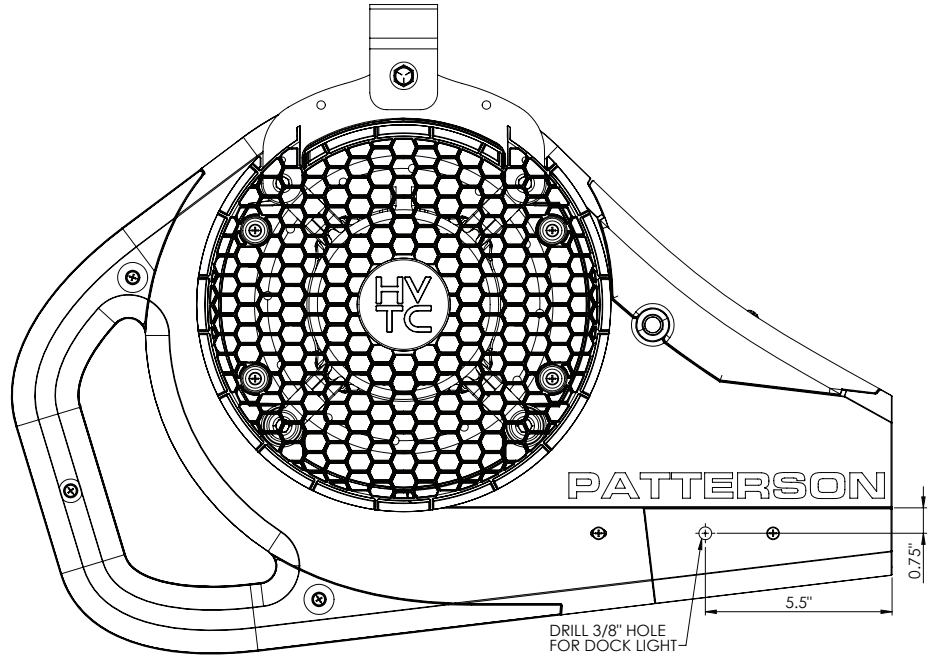
Tip: For best performance, angle blower outlet a few degrees (approx. 5°) toward trailer ceiling and nearest wall.

Fixed Mount

Fixed 90° Angle "L-Arm"



**Dock Light
Hole Location**

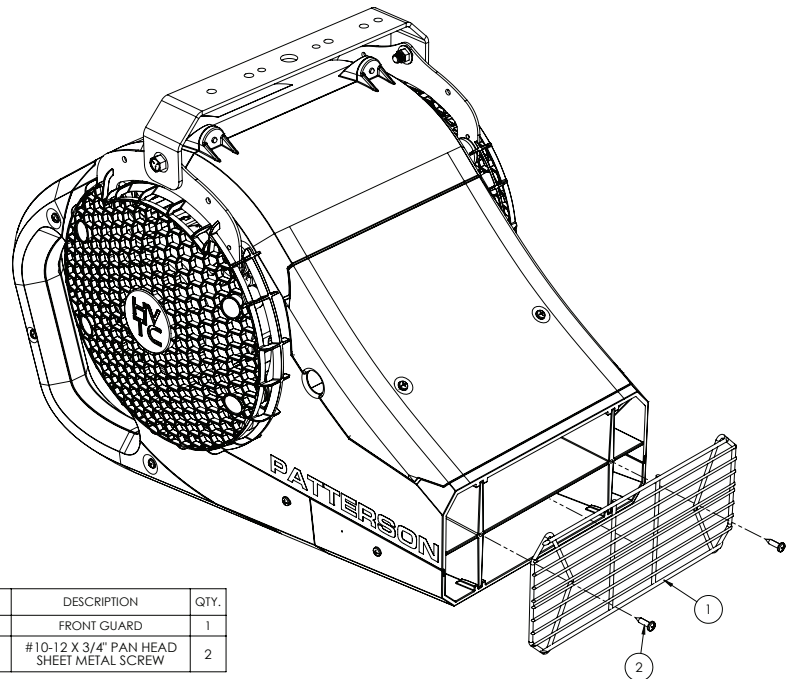


Dock Light Assembly

ITEM NO.	PART NUMBER	DESCRIPTION	QTY.
1	-	DOCK LIGHT	1
2	10308	FLANGE HEAD BOLT	1
3	-	SERRATED WASHER	1
4	10147	FLANGE NUT	1

Front Guard Assembly

In accordance with OSHA requirements, guarding is required if unit is mounted less than 7' 6" feet above floor or where workers have access.



ITEM NO.	PART NUMBER	DESCRIPTION	QTY.
1	10625	FRONT GUARD	1
2	10355-ZN	#10-12 X 3/4" PAN HEAD SHEET METAL SCREW	2