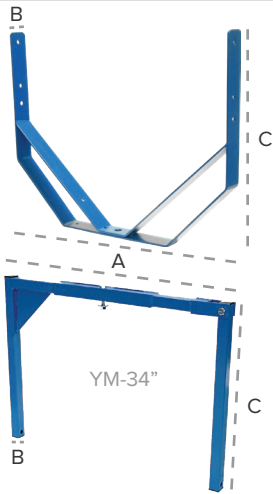


HIGH VELOCITY FANS

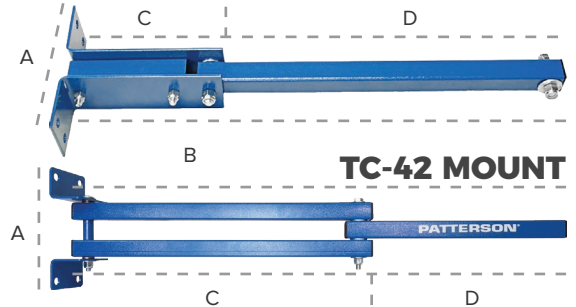
MOUNTING OPTIONS

YOKE MOUNT STANDARD



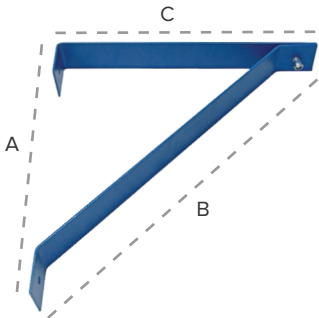
FAN SIZE	MOUNT DIMENSIONS			SHIPPING WEIGHT
	A	B	C	
10"	14"	2"	9.5"	2 lbs
14"	16"	2"	14"	4 lbs
18"	19.5"	2"	14.5"	8 lbs
22"	24"	2"	18"	10 lbs
26"	28"	4"	19.5"	21 lbs
30"	30.5"	4"	20.75"	24 lbs
34"	36"	2"	29"	25 lbs

TRUCK COOLER DOCK DOOR MOUNTS



FAN SIZE	MOUNT DIMENSIONS				SHIPPING WEIGHT
	A	B	C	D	
10.5"	36"	11"	25"	16 lbs	
10.4"	42.8"	27"	15.8"	20 lbs	

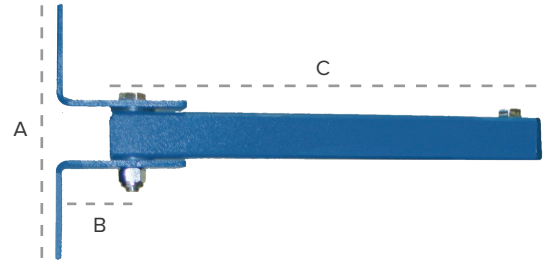
COLUMN-WALL



FAN SIZE	MOUNT DIMENSIONS			SHIPPING WEIGHT
	A	B	C	
10"	14"	19"	14"	4 lbs
14-22"	22"	30.5"	22"	13 lbs
26-30"	27"	38"	29"	20 lbs
34"	36"	43"	30"	24 lbs

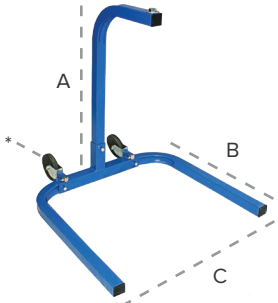
OSCILLATORS AVAILABLE

RACK MOUNT PICK MODULE FANS



FAN SIZE	MOUNT DIMENSIONS			SHIPPING WEIGHT
	A	B	C	
10-14"	10.5"	3"	14.5"	5 lbs
18"	10.5"	3"	17"	7 lbs
22"	10.5"	3"	19"	8 lbs
26-30"	10.5"	3"	21"	10 lbs

PORTABLE STROLLER

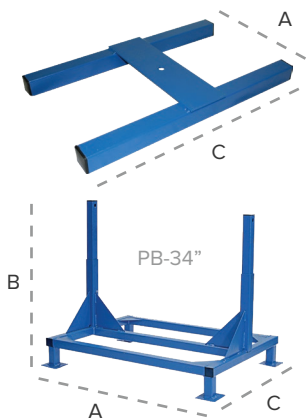


FAN SIZE	MOUNT DIMENSIONS			SHIPPING WEIGHT
	A	B	C	
14-30"	32"	35"	32"	36 lbs

* 5" Caster Wheels

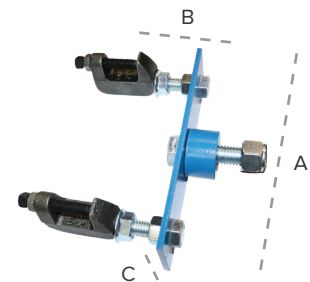
OSCILLATORS AVAILABLE

PEDESTAL BASE



FAN SIZE	MOUNT DIMENSIONS			SHIPPING WEIGHT
	A	B	C	
10-14"	12"	-	14.5"	6 lbs
18-22"	15"	-	23"	12 lbs
26"	16"	-	26"	15 lbs
30"	20"	-	26"	15 lbs
34"	41.5"	32.5"	28.5"	106 lbs

BEAM CLAMP



FAN SIZE	MOUNT DIMENSIONS			SHIPPING WEIGHT
	A	B	C	
10-30"	7"	3"	2"	3 lbs